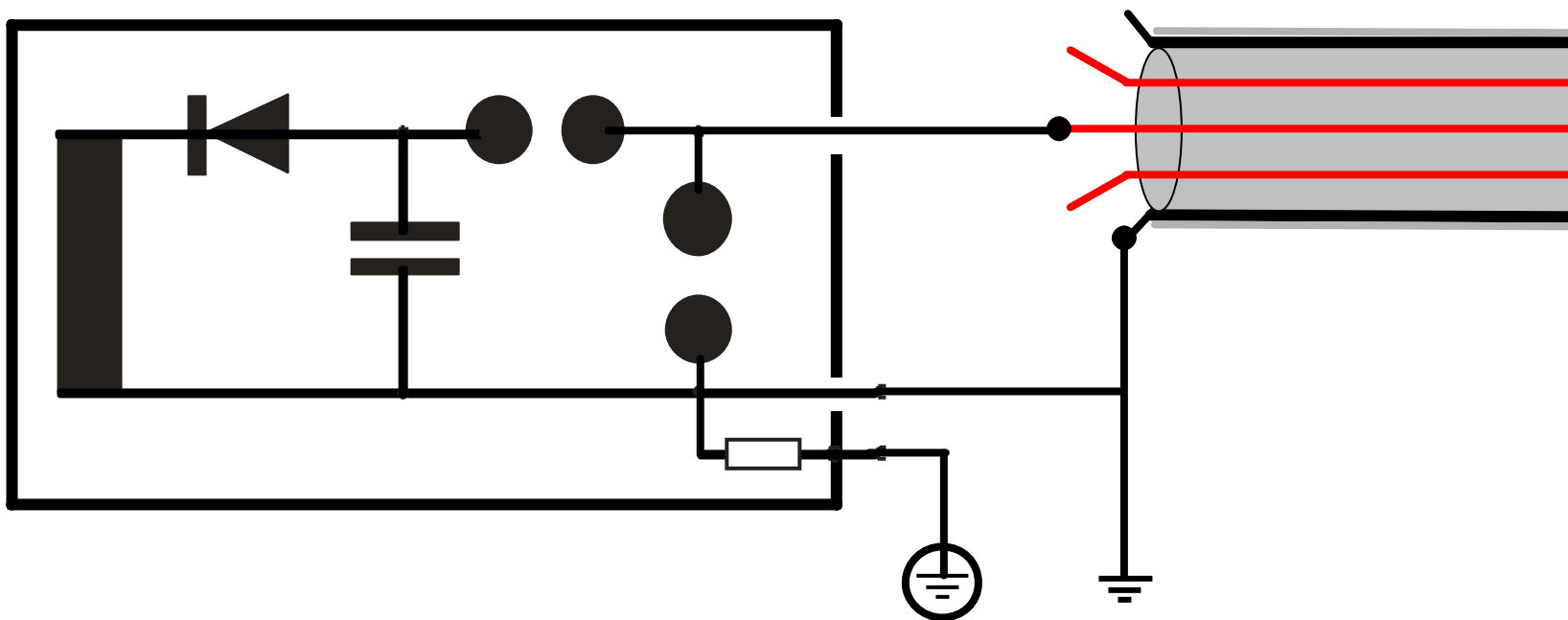


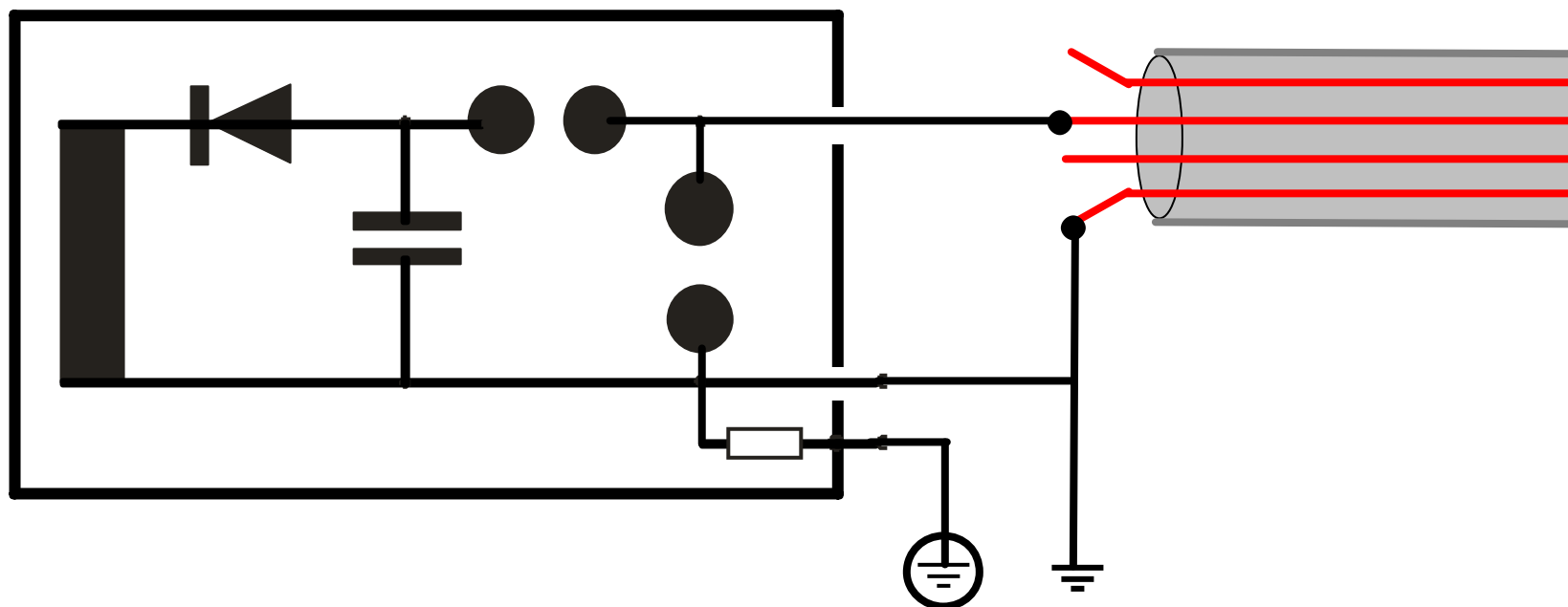


The shock discharge generator connected to a 3 phase mid voltage cable



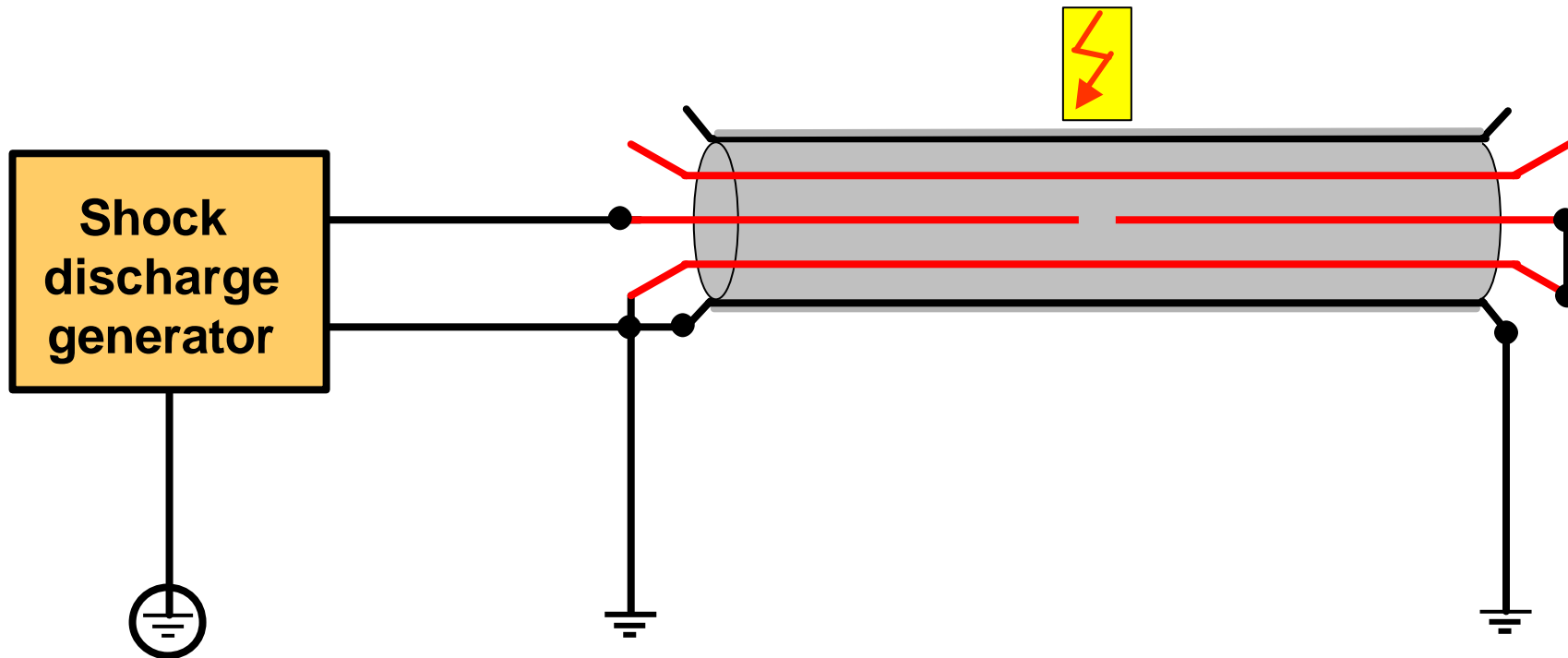


The shock discharge generator connected to a 4 phase low voltage cable



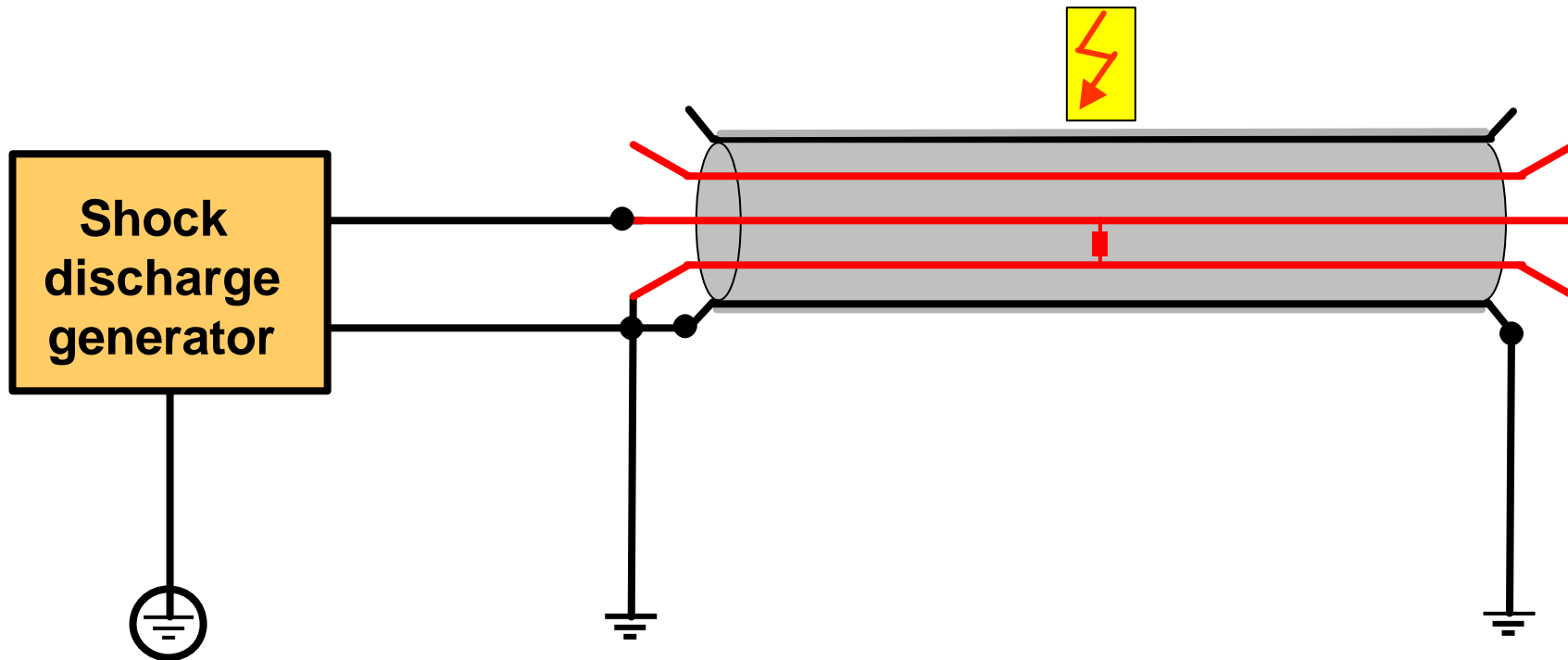


Standard connection to a faulty cable



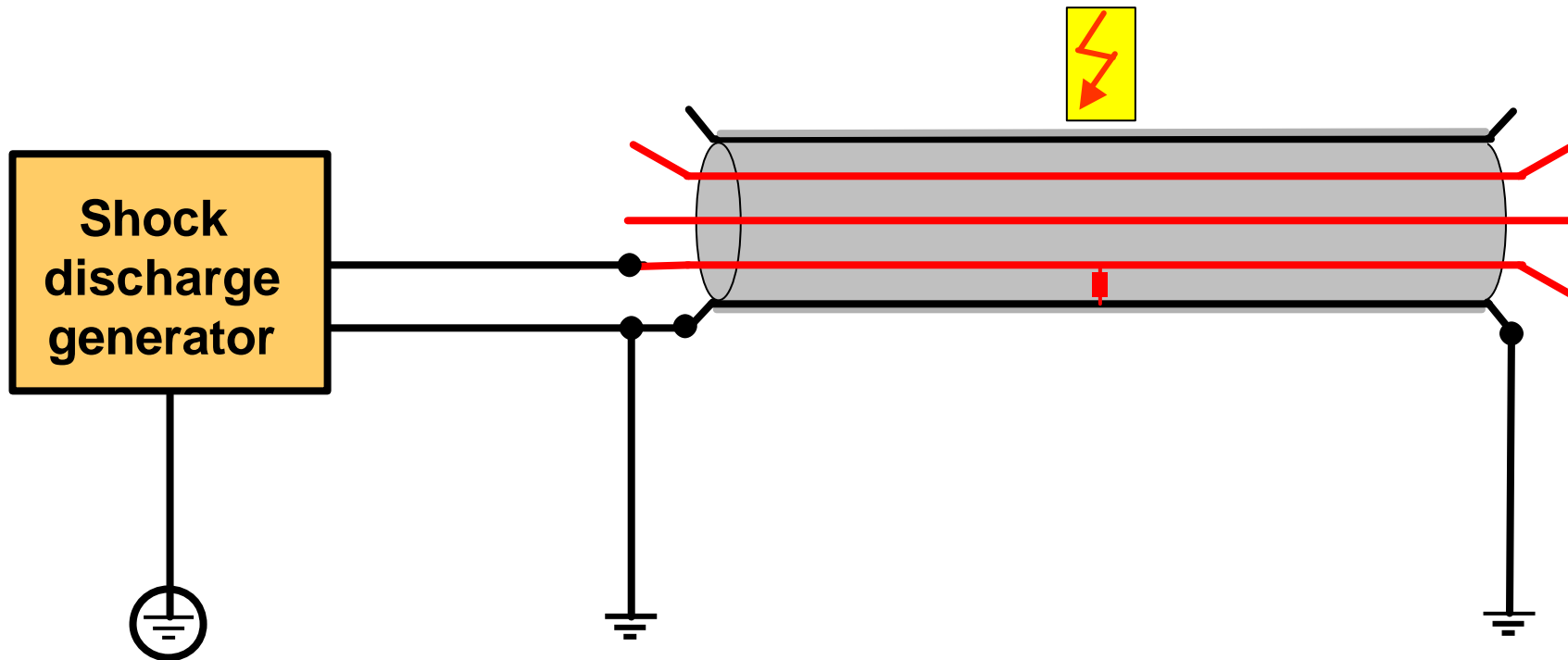


Standard connection for faults between two cores



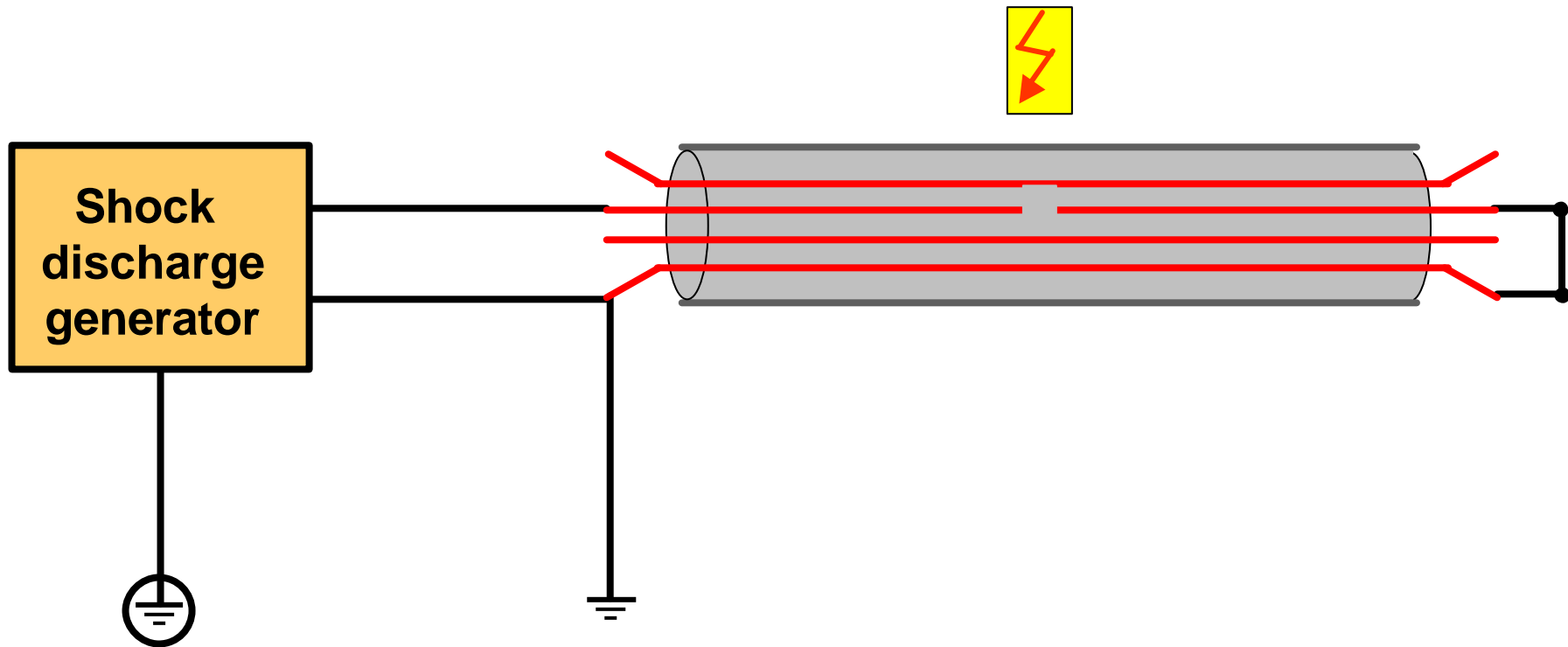


Standard connection for faults between core and screen





The shock discharge generator





Never surge directly to the ground. Dangerous to life

